

HERA

AIS Receiver

Product Type: Standard OEM

The world's best performing AIS receiver. Small, tough and IPx7 certified, Hera receiver offers superlative reception and decoding of all AIS message types. Unique design permits extensive customisation of features and functions to suit any market and application.

- Exceptional receiver performance
- Toughened, UV stable, IPx7 waterproof shell
- Dual NMEA0183 and NMEA2000 data output
- Ultra low power consumption
- Integrated HF-AIS™ core technology delivers exception operational performance



Small integrated product, easy to install



Multiple data interfaces – NMEA0183, NMEA2000, USB



HF-AIS™ core technology for maximum performance

Branding

Our OEM products are supplied fully branded as per your specific requirements. This includes the product, all manuals and packaging such that upon arrival they are instantly ready for you to ship to your customers.

Customisation

SRT products offer unmatched capability to be customised for specific applications and markets. Additional features and functions can be specified and implemented and range from the simple to complex encryption and messaging features.

Certification

This product is fully tested and certified to the relevant international standards and product specifications. As part of the OEM customisation process into your brand, international certification can be transferred into your brand name within a matter of weeks.

Physical Specification

Dimensions	140 x 100 x 50mm (D x W x H)
Weight	280g

Electrical Specification

Power supply	12 to 24VDC
Power consumption	150mA @ 12VDC, <2W average

Data Interface

NMEA2000	✓
USB	✓
IEC61162-1 (NMEA0183) output, 38400baud	✓
IEC61162-1 (NMEA0183) input, 4800baud	✓

User Interfaces

LED indicator for power	✓
LED indicator for AIS message reception	✓

VHF Receivers

Receiver 1 frequency	161.975MHz
Receiver 2 frequency	162.025MHz
Receiver sensitivity	<-110dBm @20% PER

Standards Compliance

AIS Standards	ITU-R M.1371-4
Environmental standard	IEC60945 Edition 4
NMEA200 interface standard	NMEA2000® Edition 2.20

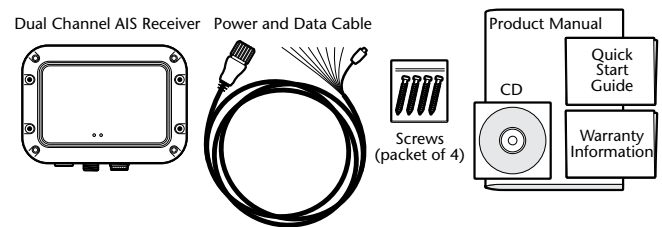
Supplied With

2m power and NMEA0183 data cable	✓
1m USB cable	✓
User manual and quick start guide	✓
Fixing screws	✓

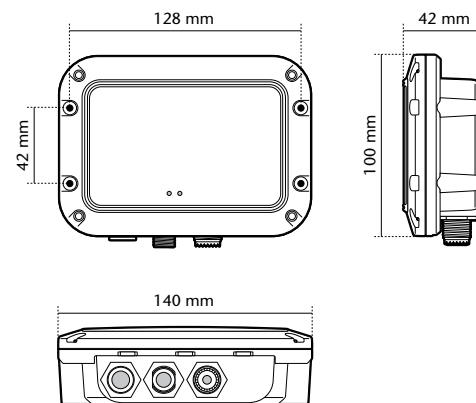
Environmental

Waterproof	IPx7 rated for water ingress
IEC 60945	'Protected' category
Operating temperature	-15°C to +55°C

What's In The Box



Dimensions



SRT enhances maritime domain awareness by developing and manufacturing tracking technology and system solutions for individual vessel owners, port authorities, maritime infrastructure owners, coast guards and national security agencies around the globe. Applications include the tracking of commercial and leisure vessels; sustainable fishery; anti-collision; search and rescue; waterway management, port and coast security; pollution management and environmental management.

Contact us now for your OEM requirements:

SRT Marine Systems plc
Wireless House
Westfield Industrial Estate
Midsomer Norton
Bath BA3 4BS, UK

T +44 (0) 1761 409 500
F +44 (0) 1761 410 093
E info@srt-marine.com
W srt-marine.com

